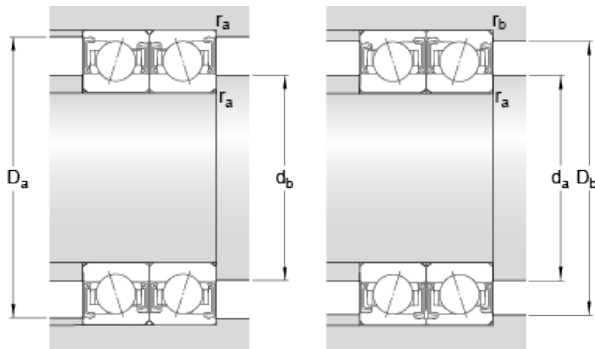




ROLLWAY BEARING Sales Co., Ltd.



S71911 CDTP/P4B SKF High Speed Angular Contact Ball Bearings

Bearing No. S71911 CDTP/P4B

S71911 CDTP/P4B Bearing 2D drawings and 3D CAD models

d	55 mm
D	80 mm
B	13 mm
d ₁	62.7 mm
d ₂	62.7 mm
D ₂	74.57 mm
r _{1,2} min.	1 mm
r _{3,4} min.	0.3 mm
a	15.6 mm
d _a min.	59.6 mm
d _a max.	62.1 mm
d _b min.	59.6 mm
d _b max.	62.1 mm
D _a max.	75.4 mm
D _b max.	78 mm
r _a max.	1 mm
r _b max.	0.3 mm
Basic dynamic load rating C	19.5 kN
Basic static load rating C ₀	14.6 kN
Fatigue load limit P _u	0.62 kN
Attainable speed for grease lubrication	16000 r/min
Ball diameter D _w	7.938 mm
Number of balls z	23
Preload class A G _A	70 N
Static axial stiffness, preload	49 N/ μ m



ROLLWAY BEARING Sales Co., Ltd.

class A	
Preload class B G_B	140 N
Static axial stiffness, preload class B	65 N/ μ m
Preload class C G_C	280 N
Static axial stiffness, preload class C	89 N/ μ m
Preload class D G_D	560 N
Static axial stiffness, preload class D	126 N/ μ m
Calculation factor f	1.15
Calculation factor f_1	1
Calculation factor f_{2A}	1
Calculation factor f_{2B}	1.04
Calculation factor f_{2C}	1.09
Calculation factor f_{2D}	1.15
Calculation factor f_{HC}	1
Calculation factor f_0	10.4
Mass bearing	0.18 kg