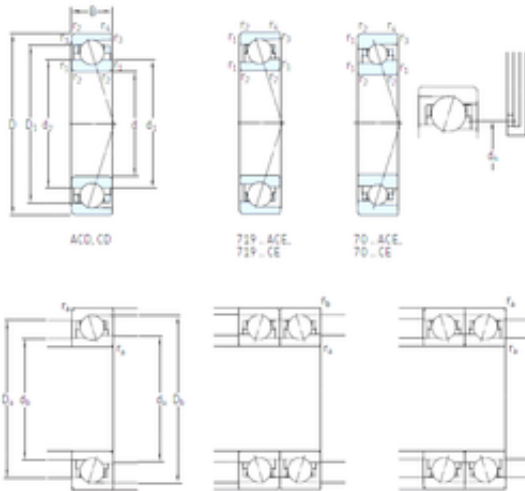




ROLLWAY BEARING Sales Co., Ltd.

71814 CD/P4 SKF High Speed Angular Contact Ball Bearings

Bearing No. 71814 CD/P4



71814 CD/P4 Bearing 2D drawings and 3D CAD models

Size	70x90x10 mm
Bore Diameter	70 mm
Outer Diameter	90 mm
Width	10 mm
d	70 mm
D	90 mm
B	10 mm
C	10 mm
d1	76,7 mm
d2	76,7 mm
r1 min.	0,6 mm
r2 min.	0,6 mm
r3 min.	0,3 mm
r4 min.	0,3 mm
D1	83,5 mm
D2	– mm
da min.	73,2 mm
Da max.	86,8 mm
db min	73,2 mm
ra max.	0,6 mm
rb max.	0,3 mm
dh	77,4 mm
Db max	88 mm
Weight	0,13 Kg
Basic dynamic load rating (C)	13,8 kN



ROLLWAY BEARING Sales Co., Ltd.

Basic static load rating (C ₀)	16 kN
(Grease) Lubrication Speed	14 000 r/min
(Oil) Lubrication Speed	22 000 r/min
Fatigue load limit (P _u)	0,67
d ₁	76.7 mm
d ₂	76.7 mm
D ₁	83.5 mm
r _{1,2} min.	0.6 mm
r _{3,4} min.	0.3 mm
a	15.7 mm
d _a min.	73.2 mm
d _b min.	73.2 mm
D _a max.	86.8 mm
D _b max.	88 mm
r _a max.	0.6 mm
r _b max.	0.3 mm
d _n	77.4 mm
Basic dynamic load rating C	13.8 kN
Basic static load rating C ₀	16 kN
Fatigue load limit P _u	0.67 kN
Attainable speed for grease lubrication	14000 r/min
Attainable speed for oil-air lubrication	22000 r/min
Ball diameter D _w	5.556 mm
Number of balls z	31
Reference grease quantity G _{ref}	1.4 cm ³
Preload class A G _A	73 N
Static axial stiffness, preload class A	65 N/ μ m
Preload class B G _B	220 N
Static axial stiffness, preload class B	112 N/ μ m



ROLLWAY BEARING Sales Co., Ltd.

Preload class C G_C	440 N
Static axial stiffness, preload class C	166 N/ μ m
Calculation factor f	1.32
Calculation factor f_1	1
Calculation factor f_{2A}	1
Calculation factor f_{2B}	1.09
Calculation factor f_{2C}	1.16
Calculation factor f_{HC}	1
Calculation factor f_0	17.2
Mass bearing	0.13 kg